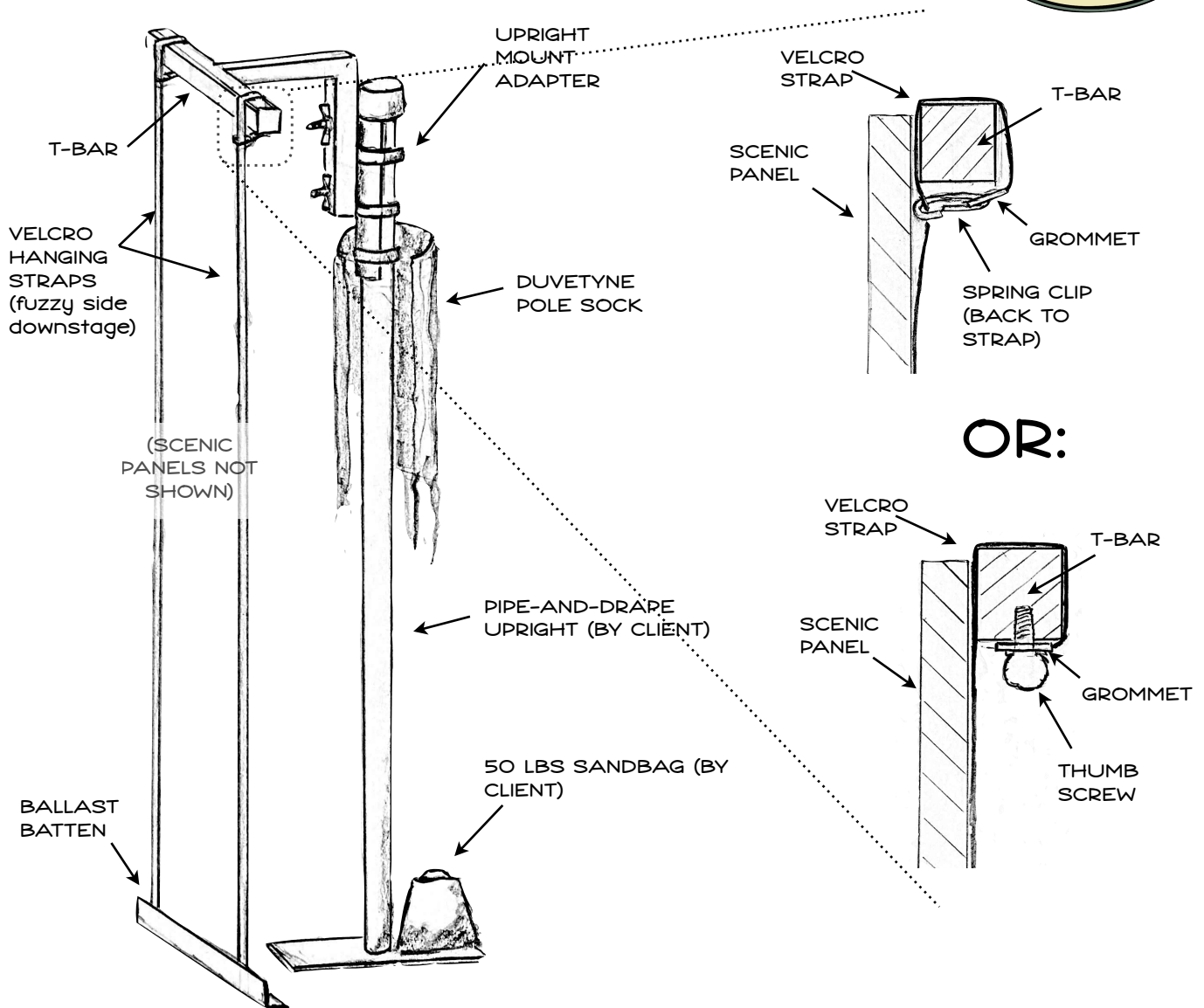


# PIPE-AND-DRAPE UPRIGHT MOUNT SETUP INSTRUCTIONS



## STEPS

- Add 50 lbs sandbag to P&D base
- Cinch Upright Mount Adapter onto pipe-and-drape upright
- Attach T-Bar with wing nuts
  - Check level before tightening
- Wrap black Pole Sock around Adapter; let slack dangle (dress after extending)
- Attach Velcro Hanging Straps to T-Bar (number and spacing varies by type of scenic panel)
- If not pre-strung, attach scenic panels to Velcro Hanging Straps using guidelines on back of straps for spacing
- Extend upright to final height
- Attach bottom of Velcro Hanging Straps to Ballast Batten with a bit of tension; dress excess
  - Adjust placement of Ballast Batten and tension on straps to fine-tune how the panels hang