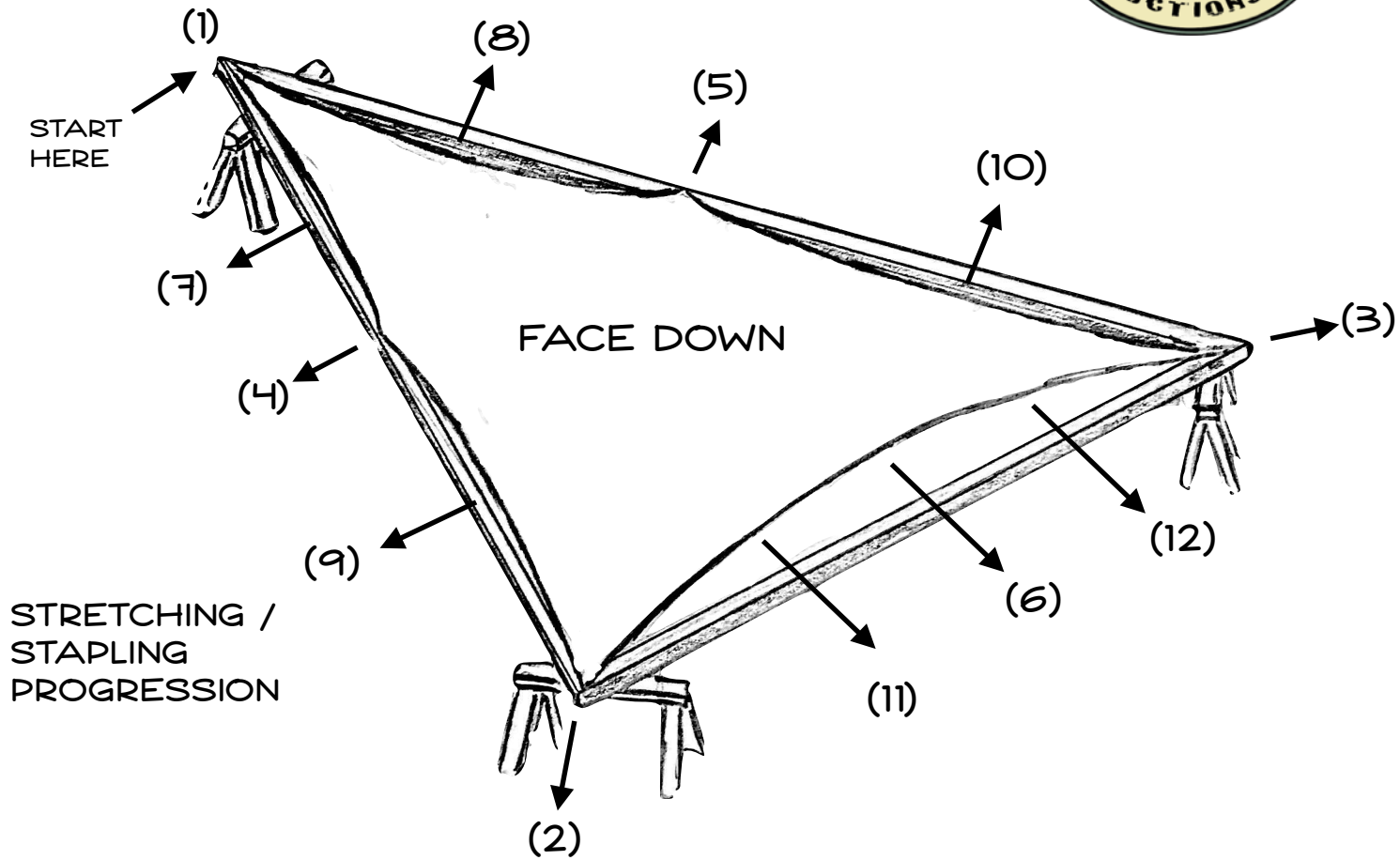
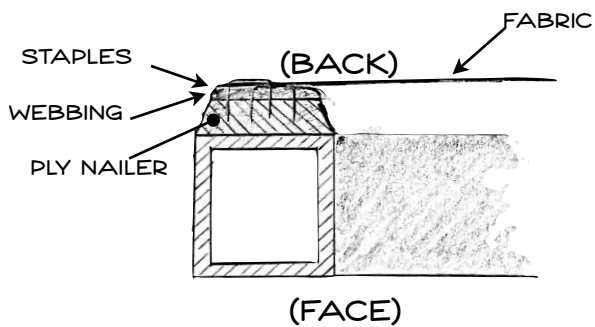


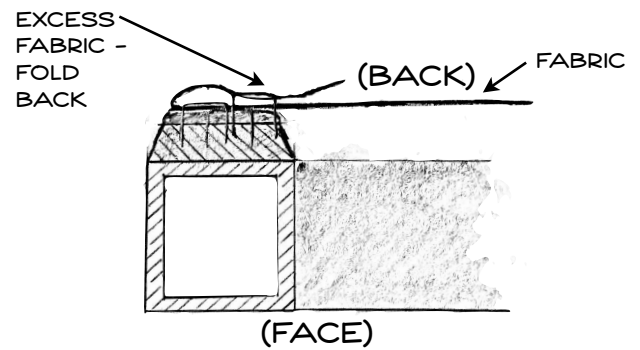
THE PEAKS FABRIC ATTACHMENT



IF FABRIC IS HEMMED TO SIZE:



IF FABRIC IS OVERSIZED:



Attach Fabric:

- Fabric goes on the back of the frame (frame will remain visible)
- Set frame on sawhorses (or floor), FACE DOWN (nailer strips up)
- Staple webbing to ply nailers. Just enough staples to tack it in place
 - Cut webbing to fit as needed. OK to use a few pieces across a span
 - At strike, pull the webbing to release staples and remove fabric
- Lay fabric across frame, stretch and staple:
 - If fabric is hemmed to size, staple through the hem
 - If fabric is oversized, stretch till taught as you go
 - Start on a corner, staple in place
 - Stretch firmly to 2nd and 3rd corner
 - Go to center of a side, stretch fabric out perpendicular to frame, staple in place
 - Repeat on other two sides
 - Back to first side, split the difference between center and corner, stretch and staple
 - Alternate between two sides, continuing to split the difference between staples until complete
 - Finish on third side, splitting the difference between staples until complete
 - If fabric is oversized, fold/roll the excess and tack or tape behind



Strike:

- Return frame to sawhorses (or floor), face down
- Pull on webbing (NOT on cover fabric) to release staples
- Pick staples from cover fabric, fold and package fabric for return. Please try to preserve fabric for re-use